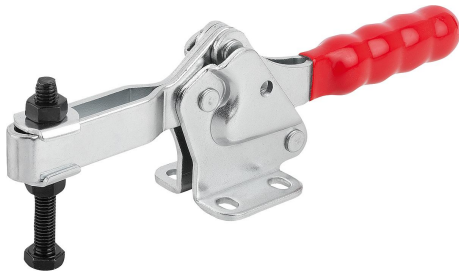


Toggle clamps horizontal with flat foot and adjustable clamping spindle

Item description/product images



Description

Material:

Steel or stainless steel.

Version:

Electro zinc-plated steel.

Bright stainless steel.

Plastic handle, oil-resistant.

Note:

A neoprene thrust pad is supplied with versions K1241.02500 and K1241.12500.

Accessory:

K0688

K0689

K0690

K0101

K1442

K0102

K0103

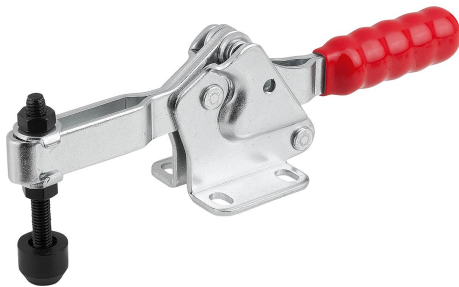
K1443

K0104

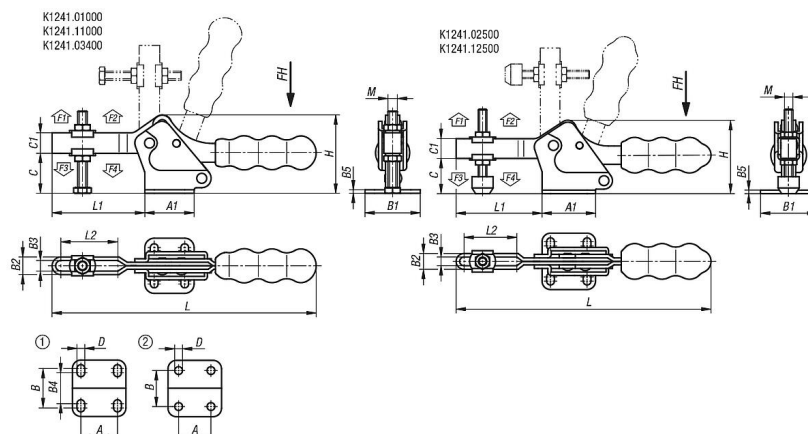
K0106

K1441

K1431

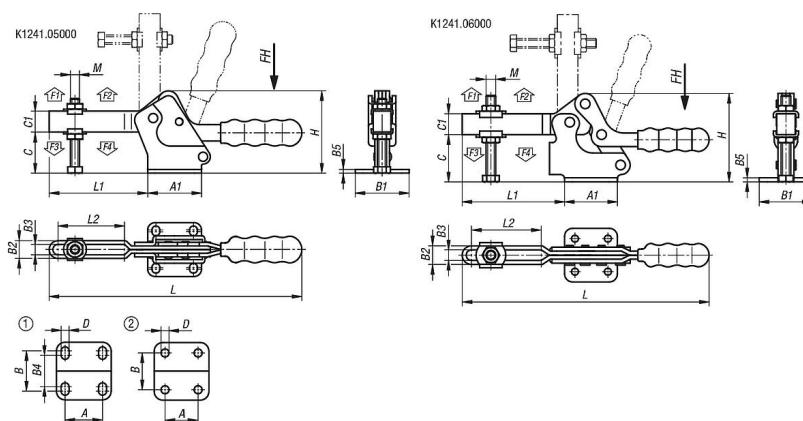


Drawings



Toggle clamps horizontal with flat foot and adjustable clamping spindle

Drawings



Overview of items

Toggle clamps horizontal with flat foot and adjustable clamping spindle

Order No.	Main material	hole arrangement	Opening angle of holding arm	Opening angle of handle	Hand force FH N	Retaining force F1 N	Retaining force F2 N	Clamping force F3 N	Clamping force F4 N
K1241.01000	steel	2	96°	78°	80	500	1000	250	500
K1241.02500	steel	1	93°	76°	150	1200	2500	400	1000
K1241.03400	steel	1	90°	72°	200	1400	3400	800	1900
K1241.05000	steel	1	90°	72°	250	2200	5000	1100	3000
K1241.06000	steel	2	94°	80°	250	3000	6000	1200	3200
K1241.11000	stainless steel	2	96°	78°	80	500	1000	250	500
K1241.12500	stainless steel	1	93°	76°	150	1200	2500	400	1000

Order No.	Main material	A	A1	B	B1	B2	B3	B4	B5	C	C1	D	H	L	L1	L2	M
K1241.01000	steel	13,5	25	16,8	27	9,3	5,3	-	2	19	9,5	5,2	38,5	112	37	22,8	M5x40
K1241.02500	steel	26	38	28	40	11,2	6,2	22	2,5	25	14	5,5	52,1	173	61	37,5	M6x50
K1241.03400	steel	26	42	31	47	15	9	26	3	34	17,5	6,6	66,5	225	79	48,6	M8x60
K1241.05000	steel	41,2	59	43	59	19,4	11,4	39	4	45	23	8,7	90,1	277	108	72,9	M10x80
K1241.06000	steel	41,2	66	41,3	67	23,2	13,2	-	5	59	26	8,7	110,4	308	128	87,2	M12x100
K1241.11000	stainless steel	13,5	25	16,8	27	9,3	5,3	-	2	19	9,5	5,2	38,5	112	37	22,8	M5x40
K1241.12500	stainless steel	26	38	28	40	11,2	6,2	22	2,5	25	14	5,5	52,1	173	61	37,5	M6x50