

## Toggle clamps latch vertical with catch plate

### Item description/product images

---



### Description

**Material:**

Steel or stainless steel.

**Version:**

Electro zinc-plated steel.

Bright stainless steel.

Plastic handle, oil-resistant.

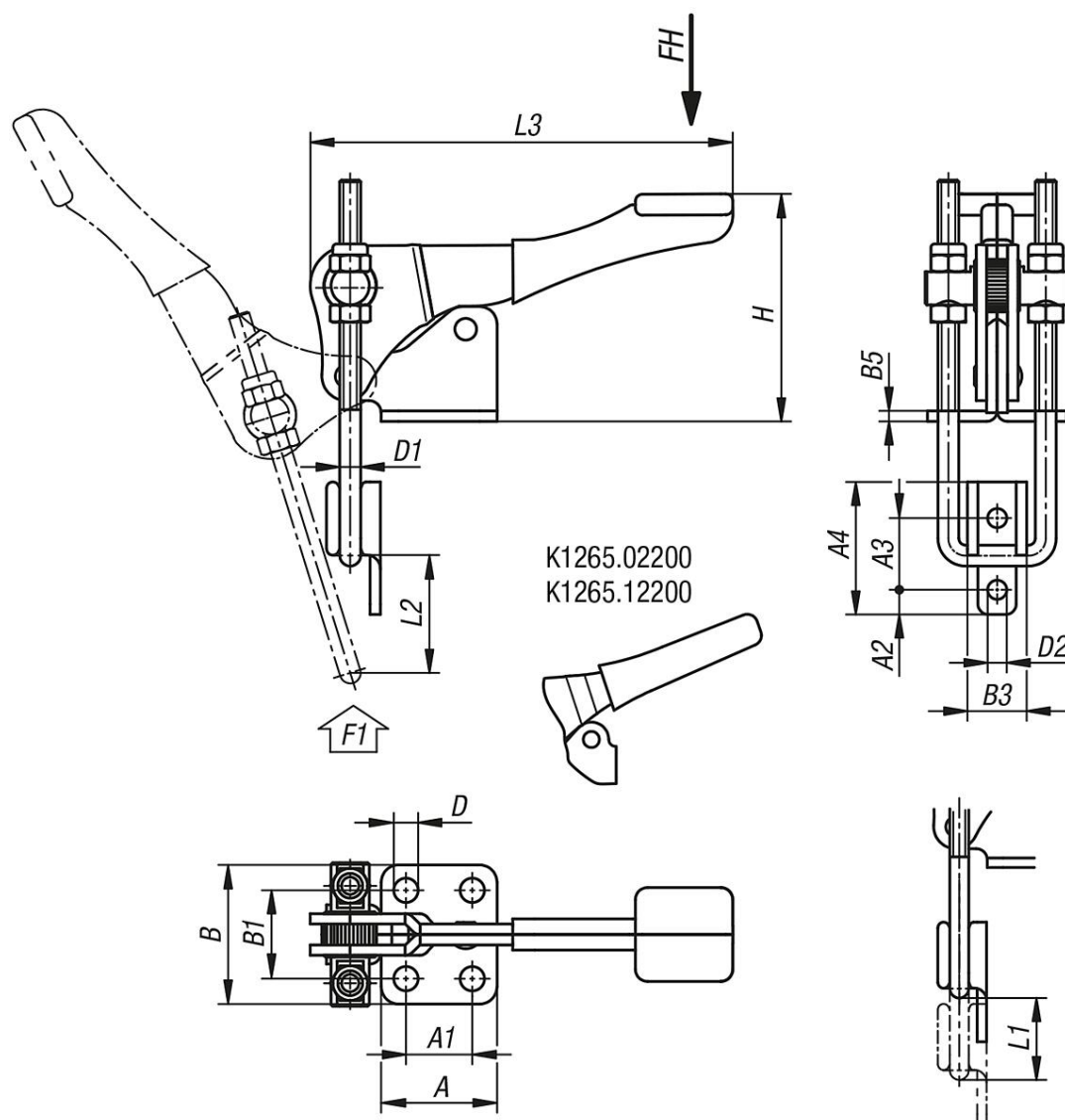
**Note:**

Latch toggle clamps are especially suitable for quickly closing and locking covers and hatches.

The travel can be set by altering the hasp length.

## Toggle clamps latch vertical with catch plate

### Drawings



### Overview of items

#### Toggle clamps latch vertical with catch plate

Order No.	Main material	Hand force FH N	Traction force F1 N	A	A1	A2	A3	A4	B	B1	B3	B5	D	D1	D2	H	L1	Clamping travel L2	L3
K1265.02200	steel	100	2200	26	13	4	14,3	25,4	35	22	13,5	2	5,3	4	4,4	55	12,2	38	81
K1265.04500	steel	150	4500	33,3	19,1	7,1	20,6	38,1	40	25,4	17	3	7,1	6	5,6	65,4	20,3	50	121,5
K1265.07000	steel	200	9000	47,6	31,8	9,5	27	54	53	36,5	30	4	8,7	8	8,7	85,5	29,4	63	132,4
K1265.12200	stainless steel	100	2200	26	13	4	14,3	25,4	35	22	13,5	2	5,3	4	4,4	55	12,2	38	81
K1265.14500	stainless steel	150	4500	33,3	19,1	7,1	20,6	38,1	40	25,4	17	3	7,1	6	5,6	65,4	20,3	50	121,5
K1265.17000	stainless steel	200	9000	47,6	31,8	9,5	27	54	53	36,5	30	4	8,7	8	8,7	92	29,4	63	132,4