

## Toggle clamps latch horizontal heavy-duty with catch plate

Item description/product images



### Description

**Material:**

Steel. Body and catch plate cast steel.

Grip ductile iron (SGI).

**Version:**

Trivalent passivated.

Plastic grip oil-resistant.

**Note:**

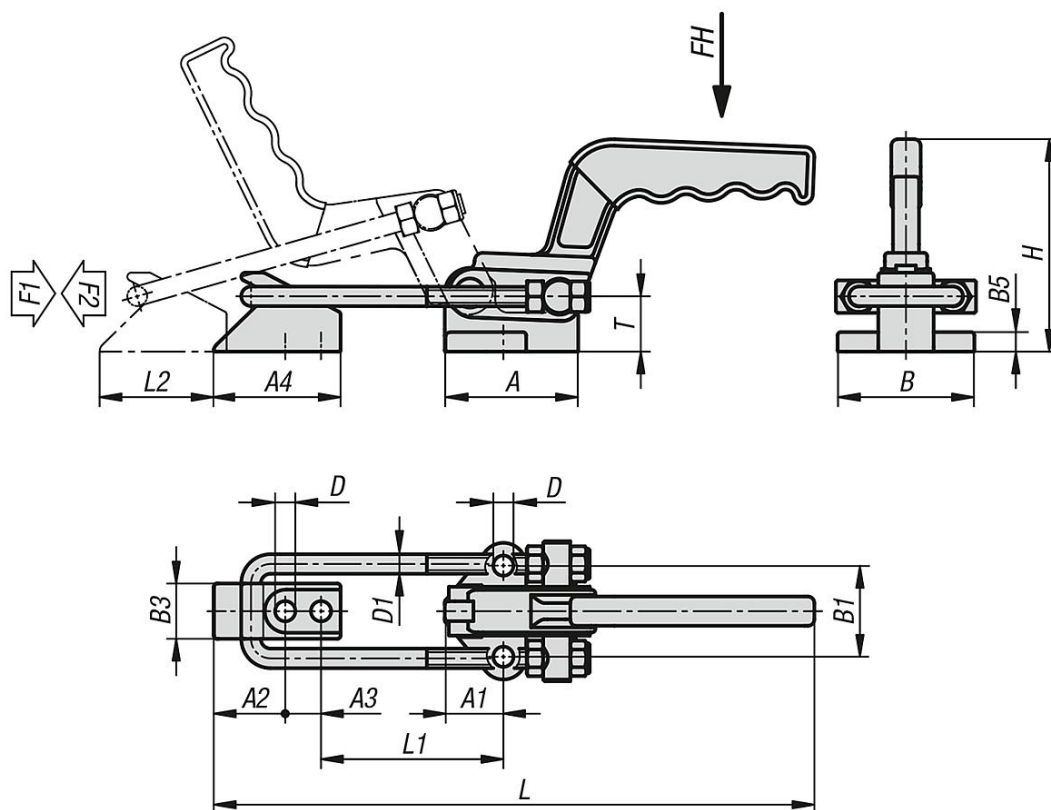
Horizontal latch toggle clamps are especially suitable for quickly closing and locking covers and hatches.

The travel can be set by altering the hasp length.



# Toggle clamps latch horizontal heavy-duty with catch plate

## Drawings



## Overview of items

### Toggle clamps, latch, horizontal, heavy-duty with catch plate

Order No.	Opening angle of handle	Hand force FH N	Traction force F1 N	Retaining force F2 N	Travel path L min.	Travel path L max.	Travel path L1 min.	Travel path L1 max.	Clamping travel L2
K1262.020000	138°	600	16500	20000	270	320	38	88	60
K1262.040000	120°	600	19000	40000	335	395	52	112	70

Order No.	A	A1	A2	A3	A4	B	B1	B3	B5	D	D1	H	T
K1262.020000	59,5	24	37	18	65	74	50	28	10	10,4	10	114,3	27
K1262.040000	82	36	44	22	78	84	56	34	12	12,4	12	131	33,5