

## Toggle clamps hook horizontal with catch plate

### Item description/product images



### Description

#### Material:

Steel or stainless steel.

#### Version:

Electro zinc-plated steel.

Bright stainless steel.

Plastic handle, oil-resistant.

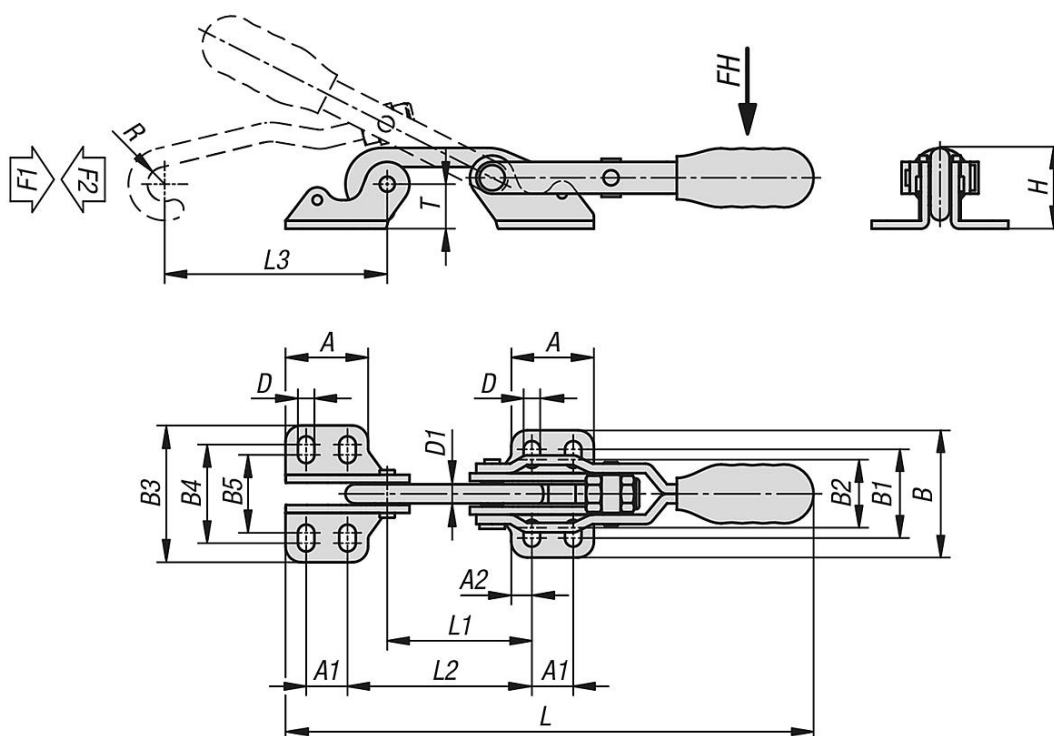
#### Note:

Horizontal hook toggle clamps are especially suitable for quickly closing and locking covers and hatches.

The amount of travel can be set by altering the hook length.

Adjustment length: 0 - 5 mm.

### Drawings



### Overview of items

## Toggle clamps hook horizontal with catch plate

### Overview of items

#### Toggle clamps hook horizontal with catch plate

Order No.	Main material	Opening angle of handle	Hand force FH N	Traction force F1 N	Retaining force F2 N
<b>K1432.02000</b>	steel	153°	100	1500	2000
<b>K1432.04000</b>	steel	155°	160	3000	4000
<b>K1432.07000</b>	steel	155°	200	4000	7000
<b>K1432.12000</b>	stainless steel	153°	100	1500	2000
<b>K1432.14000</b>	stainless steel	155°	160	3000	4000
<b>K1432.17000</b>	stainless steel	155°	200	4000	7000

Order No.	Main material	A	A1	A2	B	B1	B2	B3	B4	B5	D	D1	H	L	L1	L2	Clamping travel L3	R	T
<b>K1432.02000</b>	steel	26	13	6,5	40	28	21,5	43	31	24,5	5,2	6	25,4	167	45,5	58	70	5,4	14
<b>K1432.04000</b>	steel	35	19	8	52	36	29	57	41	34	6,5	8	35	247	68,2	84	90	7	20
<b>K1432.07000</b>	steel	51	32	9,5	71,5	52,5	43,5	78	59	50	8,5	12	49,3	314	84	104	115	10	27
<b>K1432.12000</b>	stainless steel	26	13	6,5	40	28	21,5	43	31	24,5	5,2	6	25,4	167	45,5	58	70	5,4	14
<b>K1432.14000</b>	stainless steel	35	19	8	52	36	29	57	41	34	6,5	8	35	247	68,2	84	90	7	20
<b>K1432.17000</b>	stainless steel	51	32	9,5	71,5	52,5	43,5	78	59	50	8,5	12	49,3	314	84	104	115	10	27