

Toggle clamps vertical with angled foot and full holding arm

Item description/product images



Description

Material:

Steel.

Version:

Electro zinc-plated steel.
Plastic handle, oil-resistant.

Note:

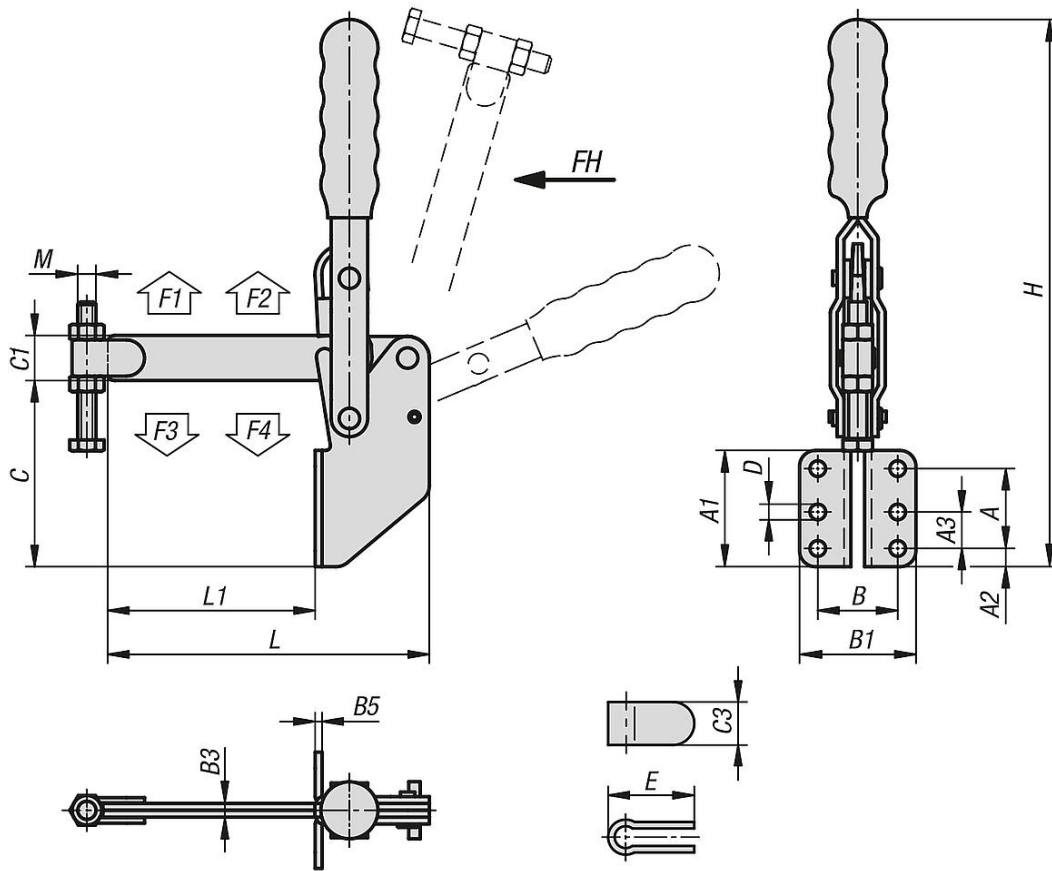
spindle bracket weldable.

Accessory:

K0688
K0689
K0690
K0101
K1442
K0102
K0103
K1443
K0104
K0106

Toggle clamps vertical with angled foot and full holding arm

Drawings



Overview of items

Toggle clamps vertical with angled foot and full holding arm

Order No.	Opening angle of holding arm	Opening angle of handle	Hand force FH N	Retaining force F1 N	Retaining force F2 N	Clamping force F3 N	Clamping force F4 N
K1437.03600	106°	67°	100	2000	3600	900	1800

Order No.	A	A1	A2	A3	B	B1	B3	B5	C	C1	C3	D	E	H	L	L1	M
K1437.03600	35	51	8	16	35	51	6	3	82	19	16	6,8	31	244	143	93	M8x60