

Tubular handles Bighand, aluminium with plastic grip legs

Item description/product images



colour codes:



black Grey
RAL 7021



Pure orange
RAL 2004



colza yellow
RAL 1021



traffic red
RAL 3020



signal green
RAL 6032



traffic blue
RAL 5017

Description

Product description:

The newly designed Bighand tubular handle with its ergonomic oval shape and selected tube size provides a secure and comfortable grip. Its timeless elegant design makes it attractive and the variable colour scheme means it can be optimally adapted to its surroundings.

Material:

Oval tube aluminium.
End piece thermoplastic polyamide.
End cap thermoplastic polyamide.
Adapter bush stainless steel.

Version:

Oval tube black grey powder-coated (glossy), black anodised (matt) or natural tone anodised (matt).
End piece black grey RAL 7021.
End cap black grey RAL7021, pure orange RAL 2004, rape yellow RAL 1021, traffic red RAL 3020, signal green RAL 6032 or traffic blue RAL 5017.

Note:

Fastening materials are not supplied.
Cap screws with thread lock are recommended for a secure and permanent hold.

Temperature range:

Permanent temperature max. 100 °C.
Short time use up to 180 °C.

Assembly:

The end pieces are designed so that the tubular handle can be fastened either from the front or rear. DIN M8 cap screws or hex head screws are provided for this purpose. After mounting, the end caps can be pressed in by hand. Slots are provided on both sides of the end caps so that they can be removed with a screwdriver without damaging them.

On request:

Special lengths "A".

Accessory:

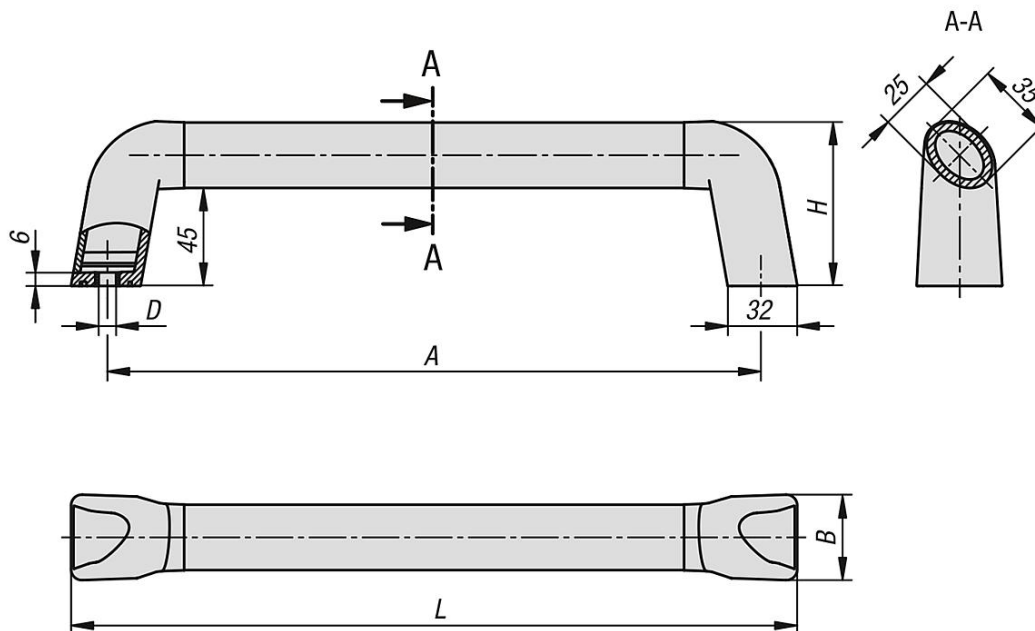
K0869 Socket head screws DIN EN ISO 4762 with thread lock
K0869 Socket head screw DIN EN ISO 4762 enhanced
K0871 Hex head screws DIN 933 / DIN EN ISO 4017
K1145 Hex nuts 934 / DIN EN ISO 4032 / DIN EN 24032
K0868 Washers DIN 125 / DIN EN ISO 7089 Form A

Tubular handles Bighand, aluminium with plastic grip legs

Item description/product images



Drawings



Overview of items

Tubular handles "Bighand"

Order No.	Colour Oval grip	Surface finish body	Colour Cover	A	B	D	H	L	Load capacity N
K1445.1801	black grey	powder-coated	black grey RAL 7021	180	39,2	8	75,5	213,4	1000
K1445.2001	black grey	powder-coated	black grey RAL 7021	200	39,2	8	75,5	233,4	1000
K1445.2501	black grey	powder-coated	black grey RAL 7021	250	39,2	8	75,5	283,4	1000
K1445.3001	black grey	powder-coated	black grey RAL 7021	300	39,2	8	75,5	333,4	1000
K1445.3501	black grey	powder-coated	black grey RAL 7021	350	39,2	8	75,5	383,4	1000
K1445.4001	black grey	powder-coated	black grey RAL 7021	400	39,2	8	75,5	433,4	1000
K1445.5001	black grey	powder-coated	black grey RAL 7021	500	39,2	8	75,5	533,4	1000
K1445.6001	black grey	powder-coated	black grey RAL 7021	600	39,2	8	75,5	633,4	1000
K1445.1802	black grey	powder-coated	orange RAL 2004	180	39,2	8	75,5	213,4	1000
K1445.2002	black grey	powder-coated	orange RAL 2004	200	39,2	8	75,5	233,4	1000
K1445.2502	black grey	powder-coated	orange RAL 2004	250	39,2	8	75,5	283,4	1000
K1445.3002	black grey	powder-coated	orange RAL 2004	300	39,2	8	75,5	333,4	1000
K1445.3502	black grey	powder-coated	orange RAL 2004	350	39,2	8	75,5	383,4	1000
K1445.4002	black grey	powder-coated	orange RAL 2004	400	39,2	8	75,5	433,4	1000
K1445.5002	black grey	powder-coated	orange RAL 2004	500	39,2	8	75,5	533,4	1000
K1445.6002	black grey	powder-coated	orange RAL 2004	600	39,2	8	75,5	633,4	1000
K1445.18016	black grey	powder-coated	colza yellow RAL 1021	180	39,2	8	75,5	213,4	1000
K1445.20016	black grey	powder-coated	colza yellow RAL 1021	200	39,2	8	75,5	233,4	1000
K1445.25016	black grey	powder-coated	colza yellow RAL 1021	250	39,2	8	75,5	283,4	1000
K1445.30016	black grey	powder-coated	colza yellow RAL 1021	300	39,2	8	75,5	333,4	1000
K1445.35016	black grey	powder-coated	colza yellow RAL 1021	350	39,2	8	75,5	383,4	1000
K1445.40016	black grey	powder-coated	colza yellow RAL 1021	400	39,2	8	75,5	433,4	1000
K1445.50016	black grey	powder-coated	colza yellow RAL 1021	500	39,2	8	75,5	533,4	1000
K1445.60016	black grey	powder-coated	colza yellow RAL 1021	600	39,2	8	75,5	633,4	1000
K1445.18084	black grey	powder-coated	traffic red RAL 3020	180	39,2	8	75,5	213,4	1000
K1445.20084	black grey	powder-coated	traffic red RAL 3020	200	39,2	8	75,5	233,4	1000
K1445.25084	black grey	powder-coated	traffic red RAL 3020	250	39,2	8	75,5	283,4	1000
K1445.30084	black grey	powder-coated	traffic red RAL 3020	300	39,2	8	75,5	333,4	1000
K1445.35084	black grey	powder-coated	traffic red RAL 3020	350	39,2	8	75,5	383,4	1000
K1445.40084	black grey	powder-coated	traffic red RAL 3020	400	39,2	8	75,5	433,4	1000
K1445.50084	black grey	powder-coated	traffic red RAL 3020	500	39,2	8	75,5	533,4	1000

Tubular handles Bighand, aluminium with plastic grip legs

Overview of items

Order No.	Colour Oval grip	Surface finish body	Colour Cover	A	B	D	H	L	Load capacity N
K1445.60084	black grey	powder-coated	traffic red RAL 3020	600	39,2	8	75,5	633,4	1000
K1445.18086	black grey	powder-coated	signal green RAL6032	180	39,2	8	75,5	213,4	1000
K1445.20086	black grey	powder-coated	signal green RAL6032	200	39,2	8	75,5	233,4	1000
K1445.25086	black grey	powder-coated	signal green RAL6032	250	39,2	8	75,5	283,4	1000
K1445.30086	black grey	powder-coated	signal green RAL6032	300	39,2	8	75,5	333,4	1000
K1445.35086	black grey	powder-coated	signal green RAL6032	350	39,2	8	75,5	383,4	1000
K1445.40086	black grey	powder-coated	signal green RAL6032	400	39,2	8	75,5	433,4	1000
K1445.50086	black grey	powder-coated	signal green RAL6032	500	39,2	8	75,5	533,4	1000
K1445.60086	black grey	powder-coated	signal green RAL6032	600	39,2	8	75,5	633,4	1000
K1445.18087	black grey	powder-coated	blue RAL5017	180	39,2	8	75,5	213,4	1000
K1445.20087	black grey	powder-coated	blue RAL5017	200	39,2	8	75,5	233,4	1000
K1445.25087	black grey	powder-coated	blue RAL5017	250	39,2	8	75,5	283,4	1000
K1445.30087	black grey	powder-coated	blue RAL5017	300	39,2	8	75,5	333,4	1000
K1445.35087	black grey	powder-coated	blue RAL5017	350	39,2	8	75,5	383,4	1000
K1445.40087	black grey	powder-coated	blue RAL5017	400	39,2	8	75,5	433,4	1000
K1445.50087	black grey	powder-coated	blue RAL5017	500	39,2	8	75,5	533,4	1000
K1445.60087	black grey	powder-coated	blue RAL5017	600	39,2	8	75,5	633,4	1000
K1445.180011	black	anodised	black grey RAL 7021	180	39,2	8	75,5	213,4	1000
K1445.200011	black	anodised	black grey RAL 7021	200	39,2	8	75,5	233,4	1000
K1445.250011	black	anodised	black grey RAL 7021	250	39,2	8	75,5	283,4	1000
K1445.300011	black	anodised	black grey RAL 7021	300	39,2	8	75,5	333,4	1000
K1445.350011	black	anodised	black grey RAL 7021	350	39,2	8	75,5	383,4	1000
K1445.400011	black	anodised	black grey RAL 7021	400	39,2	8	75,5	433,4	1000
K1445.500011	black	anodised	black grey RAL 7021	500	39,2	8	75,5	533,4	1000
K1445.600011	black	anodised	black grey RAL 7021	600	39,2	8	75,5	633,4	1000
K1445.180012	black	anodised	orange RAL 2004	180	39,2	8	75,5	213,4	1000
K1445.200012	black	anodised	orange RAL 2004	200	39,2	8	75,5	233,4	1000
K1445.250012	black	anodised	orange RAL 2004	250	39,2	8	75,5	283,4	1000
K1445.300012	black	anodised	orange RAL 2004	300	39,2	8	75,5	333,4	1000
K1445.350012	black	anodised	orange RAL 2004	350	39,2	8	75,5	383,4	1000
K1445.400012	black	anodised	orange RAL 2004	400	39,2	8	75,5	433,4	1000
K1445.500012	black	anodised	orange RAL 2004	500	39,2	8	75,5	533,4	1000
K1445.600012	black	anodised	orange RAL 2004	600	39,2	8	75,5	633,4	1000
K1445.180016	black	anodised	colza yellow RAL 1021	180	39,2	8	75,5	213,4	1000
K1445.200016	black	anodised	colza yellow RAL 1021	200	39,2	8	75,5	233,4	1000
K1445.250016	black	anodised	colza yellow RAL 1021	250	39,2	8	75,5	283,4	1000
K1445.300016	black	anodised	colza yellow RAL 1021	300	39,2	8	75,5	333,4	1000
K1445.350016	black	anodised	colza yellow RAL 1021	350	39,2	8	75,5	383,4	1000
K1445.400016	black	anodised	colza yellow RAL 1021	400	39,2	8	75,5	433,4	1000
K1445.500016	black	anodised	colza yellow RAL 1021	500	39,2	8	75,5	533,4	1000
K1445.600016	black	anodised	colza yellow RAL 1021	600	39,2	8	75,5	633,4	1000
K1445.1800184	black	anodised	traffic red RAL 3020	180	39,2	8	75,5	213,4	1000
K1445.2000184	black	anodised	traffic red RAL 3020	200	39,2	8	75,5	233,4	1000
K1445.2500184	black	anodised	traffic red RAL 3020	250	39,2	8	75,5	283,4	1000
K1445.3000184	black	anodised	traffic red RAL 3020	300	39,2	8	75,5	333,4	1000
K1445.3500184	black	anodised	traffic red RAL 3020	350	39,2	8	75,5	383,4	1000
K1445.4000184	black	anodised	traffic red RAL 3020	400	39,2	8	75,5	433,4	1000
K1445.5000184	black	anodised	traffic red RAL 3020	500	39,2	8	75,5	533,4	1000
K1445.6000184	black	anodised	traffic red RAL 3020	600	39,2	8	75,5	633,4	1000
K1445.1800186	black	anodised	signal green RAL6032	180	39,2	8	75,5	213,4	1000
K1445.2000186	black	anodised	signal green RAL6032	200	39,2	8	75,5	233,4	1000
K1445.2500186	black	anodised	signal green RAL6032	250	39,2	8	75,5	283,4	1000
K1445.3000186	black	anodised	signal green RAL6032	300	39,2	8	75,5	333,4	1000
K1445.3500186	black	anodised	signal green RAL6032	350	39,2	8	75,5	383,4	1000
K1445.4000186	black	anodised	signal green RAL6032	400	39,2	8	75,5	433,4	1000
K1445.5000186	black	anodised	signal green RAL6032	500	39,2	8	75,5	533,4	1000
K1445.6000186	black	anodised	signal green RAL6032	600	39,2	8	75,5	633,4	1000
K1445.1800187	black	anodised	blue RAL5017	180	39,2	8	75,5	213,4	1000
K1445.2000187	black	anodised	blue RAL5017	200	39,2	8	75,5	233,4	1000
K1445.2500187	black	anodised	blue RAL5017	250	39,2	8	75,5	283,4	1000
K1445.3000187	black	anodised	blue RAL5017	300	39,2	8	75,5	333,4	1000

Tubular handles Bighand, aluminium with plastic grip legs

Overview of items

Order No.	Colour Oval grip	Surface finish body	Colour Cover	A	B	D	H	L	Load capacity N
K1445.3500187	black	anodised	blue RAL5017	350	39,2	8	75,5	383,4	1000
K1445.4000187	black	anodised	blue RAL5017	400	39,2	8	75,5	433,4	1000
K1445.5000187	black	anodised	blue RAL5017	500	39,2	8	75,5	533,4	1000
K1445.6000187	black	anodised	blue RAL5017	600	39,2	8	75,5	633,4	1000
K1445.180031	natural	anodised	black grey RAL 7021	180	39,2	8	75,5	213,4	1000
K1445.200031	natural	anodised	black grey RAL 7021	200	39,2	8	75,5	233,4	1000
K1445.250031	natural	anodised	black grey RAL 7021	250	39,2	8	75,5	283,4	1000
K1445.300031	natural	anodised	black grey RAL 7021	300	39,2	8	75,5	333,4	1000
K1445.350031	natural	anodised	black grey RAL 7021	350	39,2	8	75,5	383,4	1000
K1445.400031	natural	anodised	black grey RAL 7021	400	39,2	8	75,5	433,4	1000
K1445.500031	natural	anodised	black grey RAL 7021	500	39,2	8	75,5	533,4	1000
K1445.600031	natural	anodised	black grey RAL 7021	600	39,2	8	75,5	633,4	1000
K1445.180032	natural	anodised	orange RAL 2004	180	39,2	8	75,5	213,4	1000
K1445.200032	natural	anodised	orange RAL 2004	200	39,2	8	75,5	233,4	1000
K1445.250032	natural	anodised	orange RAL 2004	250	39,2	8	75,5	283,4	1000
K1445.300032	natural	anodised	orange RAL 2004	300	39,2	8	75,5	333,4	1000
K1445.350032	natural	anodised	orange RAL 2004	350	39,2	8	75,5	383,4	1000
K1445.400032	natural	anodised	orange RAL 2004	400	39,2	8	75,5	433,4	1000
K1445.500032	natural	anodised	orange RAL 2004	500	39,2	8	75,5	533,4	1000
K1445.600032	natural	anodised	orange RAL 2004	600	39,2	8	75,5	633,4	1000
K1445.1800316	natural	anodised	colza yellow RAL 1021	180	39,2	8	75,5	213,4	1000
K1445.2000316	natural	anodised	colza yellow RAL 1021	200	39,2	8	75,5	233,4	1000
K1445.2500316	natural	anodised	colza yellow RAL 1021	250	39,2	8	75,5	283,4	1000
K1445.3000316	natural	anodised	colza yellow RAL 1021	300	39,2	8	75,5	333,4	1000
K1445.3500316	natural	anodised	colza yellow RAL 1021	350	39,2	8	75,5	383,4	1000
K1445.4000316	natural	anodised	colza yellow RAL 1021	400	39,2	8	75,5	433,4	1000
K1445.5000316	natural	anodised	colza yellow RAL 1021	500	39,2	8	75,5	533,4	1000
K1445.6000316	natural	anodised	colza yellow RAL 1021	600	39,2	8	75,5	633,4	1000
K1445.1800384	natural	anodised	traffic red RAL 3020	180	39,2	8	75,5	213,4	1000
K1445.2000384	natural	anodised	traffic red RAL 3020	200	39,2	8	75,5	233,4	1000
K1445.2500384	natural	anodised	traffic red RAL 3020	250	39,2	8	75,5	283,4	1000
K1445.3000384	natural	anodised	traffic red RAL 3020	300	39,2	8	75,5	333,4	1000
K1445.3500384	natural	anodised	traffic red RAL 3020	350	39,2	8	75,5	383,4	1000
K1445.4000384	natural	anodised	traffic red RAL 3020	400	39,2	8	75,5	433,4	1000
K1445.5000384	natural	anodised	traffic red RAL 3020	500	39,2	8	75,5	533,4	1000
K1445.6000384	natural	anodised	traffic red RAL 3020	600	39,2	8	75,5	633,4	1000
K1445.1800386	natural	anodised	signal green RAL6032	180	39,2	8	75,5	213,4	1000
K1445.2000386	natural	anodised	signal green RAL6032	200	39,2	8	75,5	233,4	1000
K1445.2500386	natural	anodised	signal green RAL6032	250	39,2	8	75,5	283,4	1000
K1445.3000386	natural	anodised	signal green RAL6032	300	39,2	8	75,5	333,4	1000
K1445.3500386	natural	anodised	signal green RAL6032	350	39,2	8	75,5	383,4	1000
K1445.4000386	natural	anodised	signal green RAL6032	400	39,2	8	75,5	433,4	1000
K1445.5000386	natural	anodised	signal green RAL6032	500	39,2	8	75,5	533,4	1000
K1445.6000386	natural	anodised	signal green RAL6032	600	39,2	8	75,5	633,4	1000
K1445.1800387	natural	anodised	blue RAL5017	180	39,2	8	75,5	213,4	1000
K1445.2000387	natural	anodised	blue RAL5017	200	39,2	8	75,5	233,4	1000
K1445.2500387	natural	anodised	blue RAL5017	250	39,2	8	75,5	283,4	1000
K1445.3000387	natural	anodised	blue RAL5017	300	39,2	8	75,5	333,4	1000
K1445.3500387	natural	anodised	blue RAL5017	350	39,2	8	75,5	383,4	1000
K1445.4000387	natural	anodised	blue RAL5017	400	39,2	8	75,5	433,4	1000
K1445.5000387	natural	anodised	blue RAL5017	500	39,2	8	75,5	533,4	1000
K1445.6000387	natural	anodised	blue RAL5017	600	39,2	8	75,5	633,4	1000

