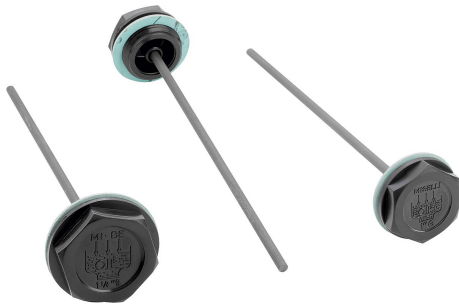


Screw plugs with dipstick, Form A

Item description/product images



Description

Material:

Thermoplast, polyamide 66.
Dipstick steel, zinc phosphated.

Version:

Flat seal asbestos-free.

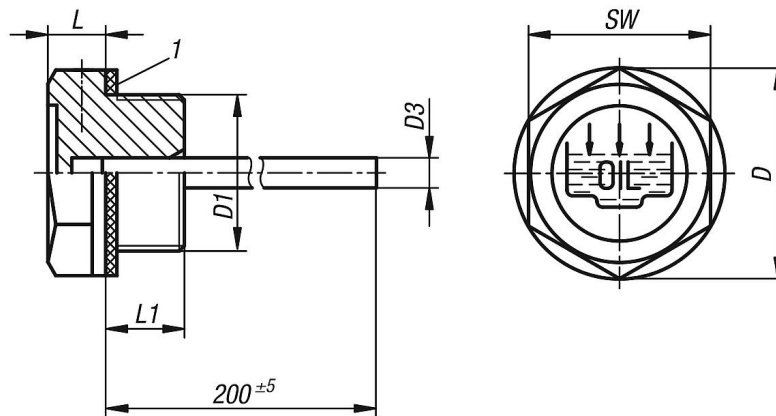
Note:

Operating temperature: max. 100°C.

Drawing reference:

1) flat seal

Drawings



Overview of items

Order No.	Form	D	D1	D3	L	L1	SW
K1101.119014	A	19	G1/4	4	7	9	17
K1101.122038	A	22	G3/8	4	7,5	10	18
K1101.128012	A	28	G1/2	4	7,5	11	24
K1101.134034	A	34	G3/4	5	9	11	30
K1101.142100	A	42	G1	5	10,5	12	36
K1101.151114	A	51	G1 1/4	5	12	13,5	42
K1101.1191415	A	19	M14X1,5	4	7	9	17
K1101.1211615	A	21	M16X1,5	4	7,5	10	18
K1101.1261815	A	26	M18X1,5	4	7,5	10	21
K1101.1282015	A	28	M20X1,5	4	8	10	24
K1101.1282215	A	28	M22X1,5	4	8	11	24