

Spring plungers with hex socket and flat POM thrust pin, steel, with thread lock

Item description/product images

KIPPlack

Description

Material:

Sleeve steel grade 5.8.

Thrust pin POM.

Spring grade D spring steel wire.

Thread lock nylon.

Version:

Black oxidised.

Note:

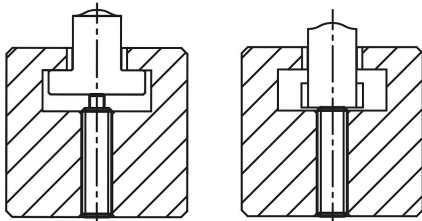
These spring plungers are chiefly used as ejectors and spring stops in machine construction.

The thrust pin is actuated in the axial direction.

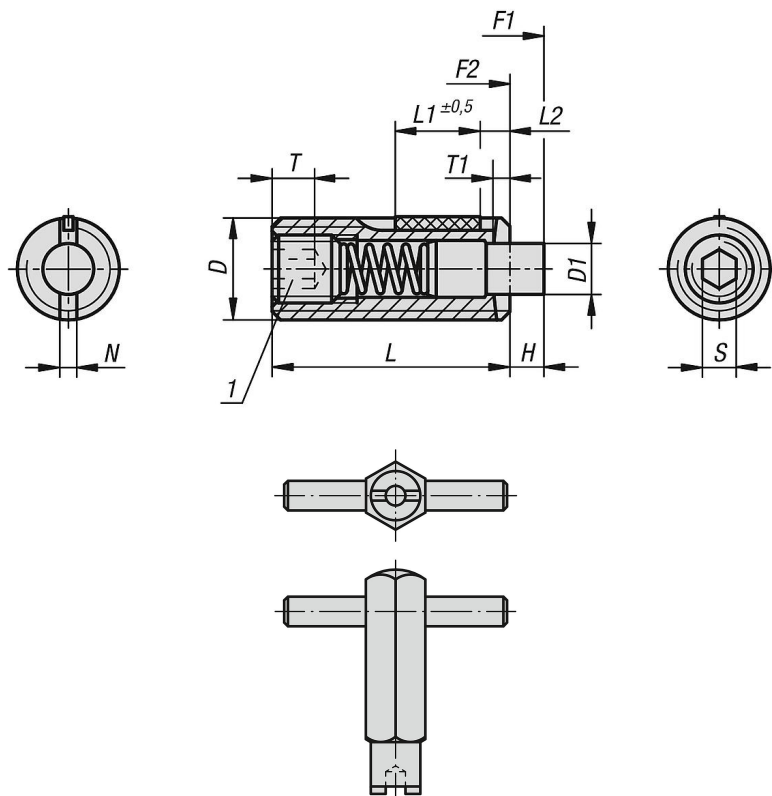
Drawing reference:

L2 = ca. two full threads

1) grub screw glued-in



Drawings



Spring plungers with hex socket and flat POM thrust pin, steel, with thread lock

Overview of items

Spring plungers with hex socket and flat thrust pin, standard spring force, with thread lock

| Order No. | D | D1 | H | L | L1 | T1 | N | S | Spring force initial pressure F1 approx. N | Spring force final pressure F2 approx. N | Tightening torque approx. Nm | Loosening torque approx. Nm | Order No. Assembly key |
|-----------------|-----|-----|-----|----|----|-----|-----|-----|--|--|------------------------------------|--------------------------------|---------------------------|
| K1373.05 | M5 | 2,4 | 2,3 | 18 | 7 | 0,8 | 0,8 | 1,5 | 6 | 20 | 0,12 | 0,08 | K0317.905 |
| K1373.06 | M6 | 2,7 | 2,5 | 20 | 7 | 1 | 1 | 2 | 7 | 20 | 0,45 | 0,22 | K0317.906 |
| K1373.08 | M8 | 3,5 | 3 | 22 | 8 | 1,4 | 1,2 | 2,5 | 9 | 35 | 1,05 | 0,37 | K0317.908 |
| K1373.10 | M10 | 4 | 3 | 22 | 9 | 1,4 | 1,6 | 3 | 9 | 35 | 1,3 | 0,6 | K0317.910 |
| K1373.12 | M12 | 6 | 4 | 28 | 10 | 2 | 2 | 4 | 12 | 55 | 2 | 1,3 | K0317.912 |
| K1373.16 | M16 | 7,5 | 5 | 32 | 14 | 2,5 | 2,5 | 5 | 45 | 100 | 3,9 | 3 | K0317.916 |