

Pull handles, plastic, with electronic switch function and one push button

Item description/product images



Description

Material:

Plastic PA6.

Version:

Fine texture, black.

Note:

Push button with red or green LED.

Form A:

Connector with 8 pin plug in the screw face of the grip leg. (Connector (K1498) with 10 m cable available as accessory. Please order separately.)

Form B:

Connection cable, 5 m long, attached to the screw face of the grip leg.

Rating: IP65 for Form A (when connector is screwed on).

Assembly:

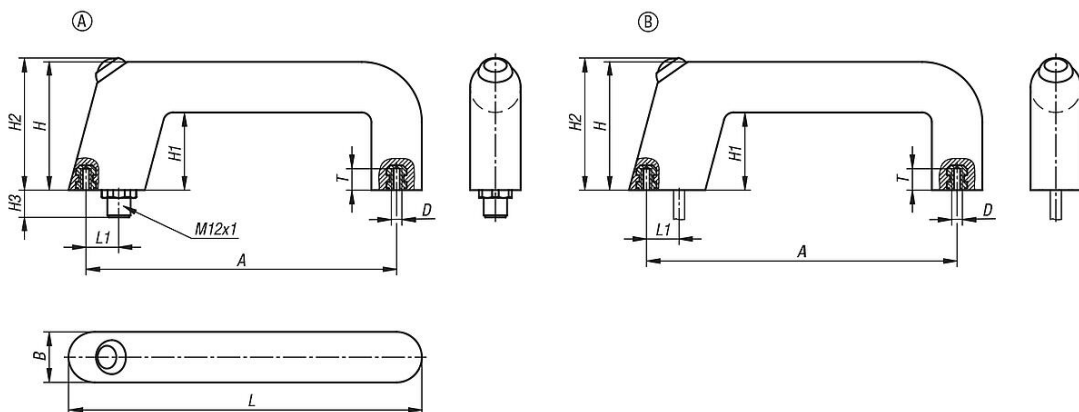
From the rear.

Drawing reference:

Form A: with plug

Form B: with cable

Drawings



Overview of items

Pull handles, plastic with electronic switch function

Pull handles, plastic, with electronic switch function and one push button

Overview of items

Order No.	Form	Component colour	A	B	D	H	H1	H2 max.	H3	L	L1	T	Load capacity N
K1527.11601	A	green	160	26	M6	66	40	70	10	182	17	10	1000
K1527.11602	A	red	160	26	M6	66	40	70	10	182	17	10	1000
K1527.21601	B	green	160	26	M6	66	40	70	-	182	17	10	1000
K1527.21602	B	red	160	26	M6	66	40	70	-	182	17	10	1000