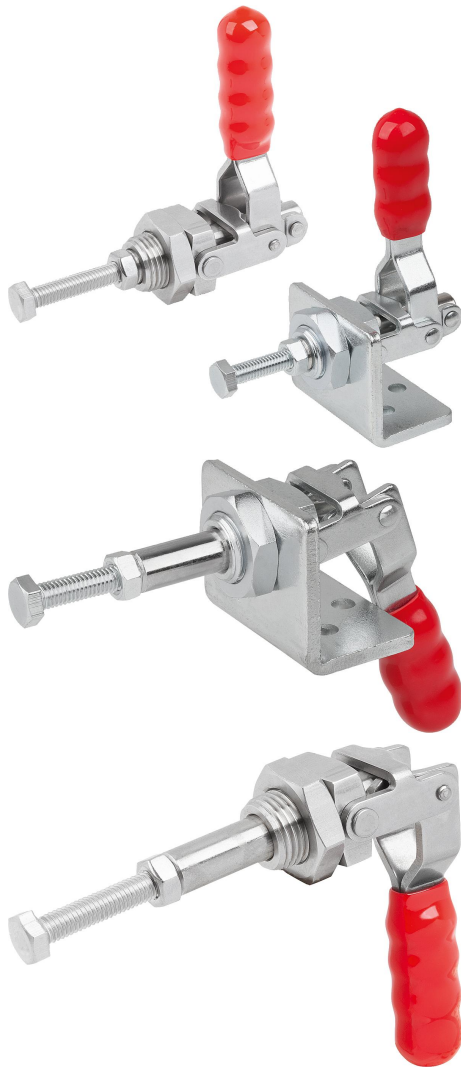


## Push-pull toggle clamp with mounting bracket

### Item description/product images



### Description

**Material:**

Steel or stainless steel.

**Version:**

Steel electro zinc-plated and passivated.

Bright stainless steel.

Plastic grip oil-resistant

**Note:**

As the push-pull toggle clamps lock in open and closed handle positions, they can be used to clamp when pushing or pulling.

The fastening nut supplied allows the clamps to be mounted in any desired position.

**Attention:**

The stainless steel versions come without mounting bracket.

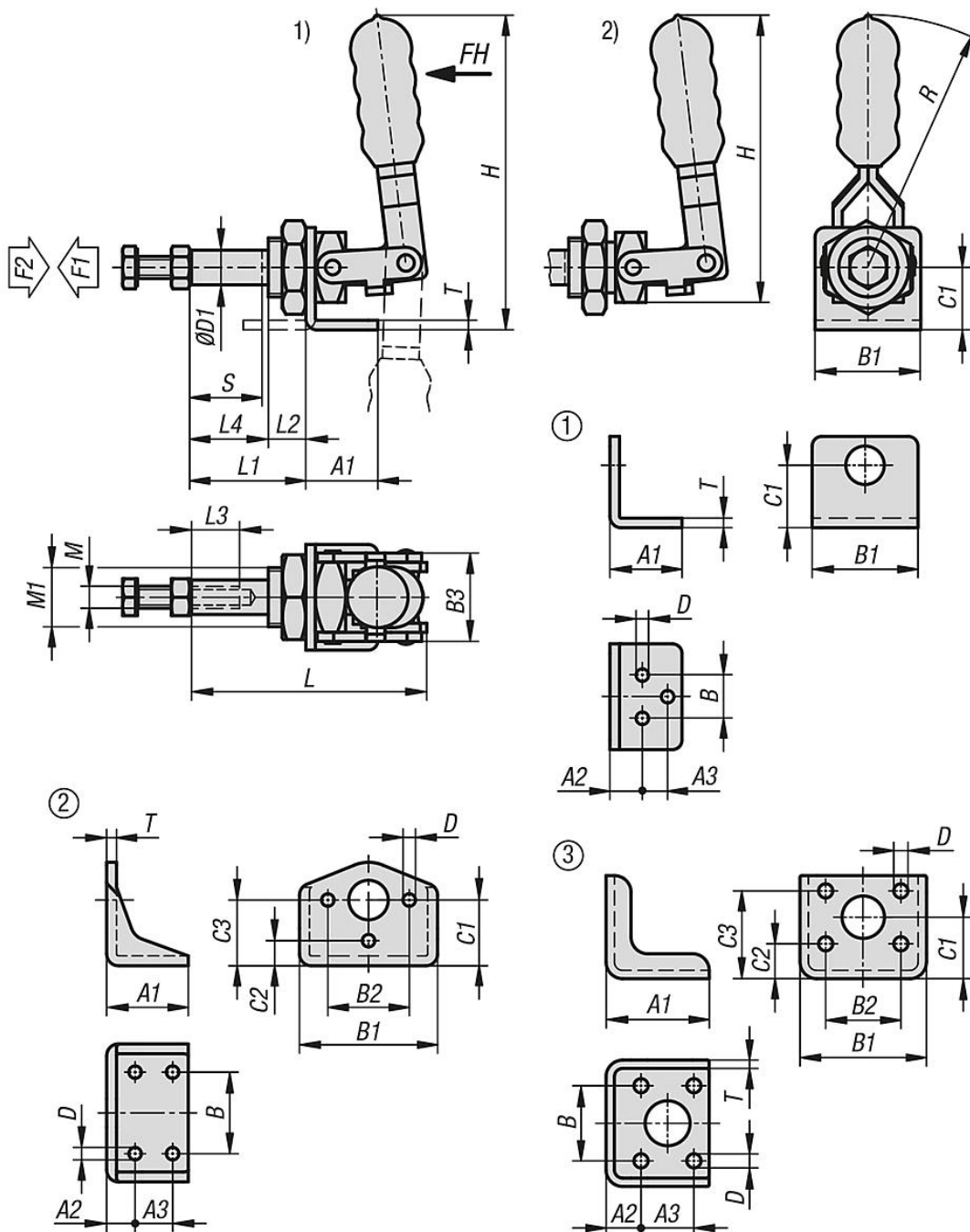
**Drawing reference:**

1) with mounting bracket

2) without mounting bracket

# Push-pull toggle clamp with mounting bracket

## Drawings



## Overview of items

### Push-Pull Clamps with mounting bracket

Order No.	Main material	Version 2	hole arrangement	Opening angle of handle	Hand force FH N	Clamping force F1 N	Retaining force F2 N
K1547.01000	steel	with mounting bracket	1	189°	40	500	1000
K1547.02000	steel	with mounting bracket	2	186°	60	1000	2000
K1547.04000	steel	with mounting bracket	3	181°	100	2000	4000
K1547.11000	stainless steel	without mounting bracket	-	189°	40	500	1000
K1547.12000	stainless steel	without mounting bracket	-	186°	60	1000	2000
K1547.14000	stainless steel	without mounting bracket	-	181°	100	2000	4000

## Push-pull toggle clamp with mounting bracket

### Overview of items

Order No.	Main material	A1	A2	A3	B	B1	B2	B3	C1	C2	C3	D	D1	H	L	L1	L2	L3	L4	M	M1	R	T	Travel S
<b>K1547.01000</b>	steel	30	13,5	10,5	18	44	-	24	26	-	-	5,2	9,4	94,5	64,3	30	8,7	15,8	21,3	M6	M16x1,5	68,5	4	20,3
<b>K1547.02000</b>	steel	41,3	14,4	19	41,3	69,9	41,3	28,6	33	12,7	33,3	5,6	10,9	123	118,7	41,7	11	25,4	40,7	M8	M20x1,5	90	5	40
<b>K1547.04000</b>	steel	62	21	31,8	45,2	76	45,2	40	37	21	52,8	8,5	15,9	164,5	169,2	86	17	32	69	M10	M27x2	127	5	66,7
<b>K1547.11000</b>	stainless steel	-	-	-	-	-	-	-	-	-	-	-	9,4	78	64,3	34	12,7	15,8	21,3	M6	M16x1,5	68,5	-	20,3
<b>K1547.12000</b>	stainless steel	-	-	-	-	-	-	-	-	-	-	-	10,9	100,9	118,7	46,7	16	25,4	40,7	M8	M20x1,5	90	-	40
<b>K1547.14000</b>	stainless steel	-	-	-	-	-	-	-	-	-	-	-	15,9	143	169,2	91	22	32	69	M10	M27x2	127	-	66,7