

Clamping plates steel for quarter-turn clamp locks

Item description/product images



Description

Material:

Housing steel.

Version:

Housing nickel-plated.

Note:

Stainless steel M3 fastening screws are included.

Mounting option for plate thickness starting from 9 mm.

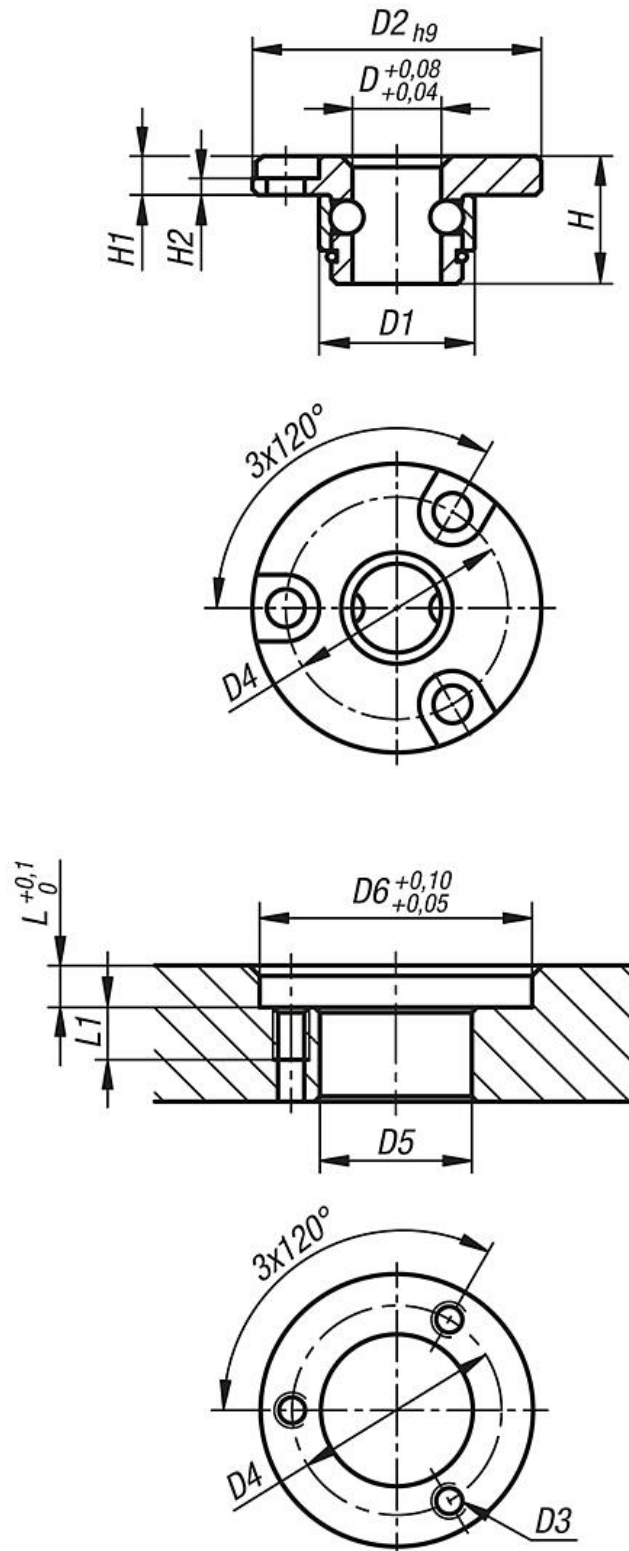
Accessory:

quarter-turn clamp lock K1559.

Clamping plates steel for quarter-turn clamp locks

Drawings

Clamping plate recessed
for plate thickness > 9 mm



Clamping plates steel for quarter-turn clamp locks

Overview of items

Steel clamping plates for quarter-turn clamp locks

Order No.	D	D1	D2	D3	D4	D5	D6	H	H1	H2	L	L1
K1560.801	8	14	26	M3x0,5	20	14,5	26	11,5	3,5	1,5	4	5