

Clamping levers, die-cast zinc with internal thread, threaded insert blue passivated steel

Item description/product images



Description

Material:

Handle die-cast zinc DIN EN 12844.

Steel parts grade 5.8.

Version:

Handle powder-coated.

Steel parts trivalent blue-passivated.

Note:

Standard colours are:

orange RAL 2004, silver metallic.

On request:

Other threads, colours and special versions.

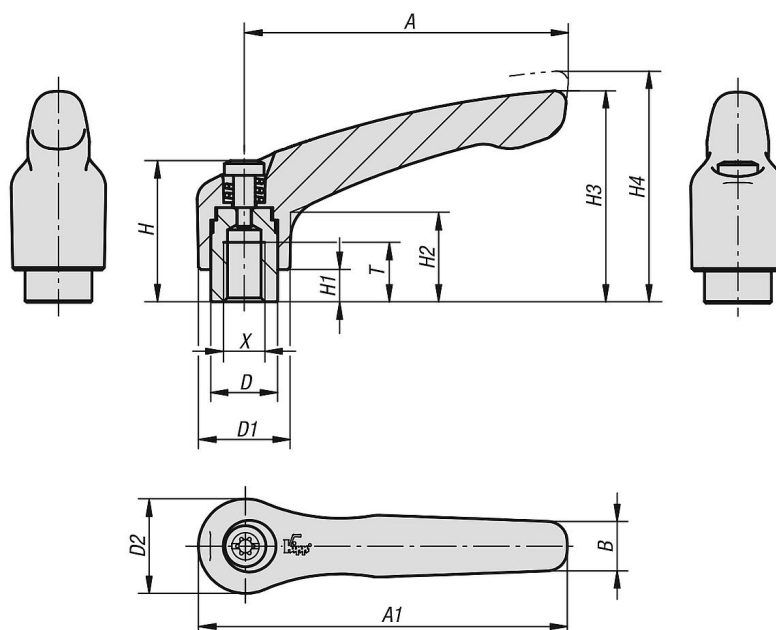
Dimension "H1" available in other lengths at extra charge.

Clamping levers, die-cast zinc with internal thread, threaded insert blue passivated steel

Item description/product images



Drawings



Overview of items

Clamping levers with female thread

Order No.	Main colour	Surface finish body	Size	X	T	D	D1	D2	H	H1	H2	H3	H4	A	A1	B	No. of teeth
K1659.0032	orange RAL 2004	plastic-coated	0	M3	9	10	13	14	24,5	4	14,5	30	33	30	37	7	16
K1659.0033	silver metallic	plastic-coated	0	M3	9	10	13	14	24,5	4	14,5	30	33	30	37	7	16
K1659.0042	orange RAL 2004	plastic-coated	0	M4	9	10	13	14	24,5	4	14,5	30	33	30	37	7	16
K1659.0043	silver metallic	plastic-coated	0	M4	9	10	13	14	24,5	4	14,5	30	33	30	37	7	16
K1659.0052	orange RAL 2004	plastic-coated	0	M5	9	10	13	14	24,5	4	14,5	30	33	30	37	7	16
K1659.0053	silver metallic	plastic-coated	0	M5	9	10	13	14	24,5	4	14,5	30	33	30	37	7	16
K1659.1042	orange RAL 2004	plastic-coated	1	M4	9	10	13	14	24,5	4	14,5	31	34	40	47	7	16
K1659.1043	silver metallic	plastic-coated	1	M4	9	10	13	14	24,5	4	14,5	31	34	40	47	7	16

Clamping levers, die-cast zinc with internal thread, threaded insert blue passivated steel

Overview of items

Order No.	Main colour	Surface finish body	Size	X	T	D	D1	D2	H	H1	H2	H3	H4	A	A1	B	No. of teeth
K1659.1052	orange RAL 2004	plastic-coated	1	M5	9	10	13	14	24,5	4	14,5	31	34	40	47	7	16
K1659.1053	silver metallic	plastic-coated	1	M5	9	10	13	14	24,5	4	14,5	31	34	40	47	7	16
K1659.1062	orange RAL 2004	plastic-coated	1	M6	9	10	13	14	24,5	4	14,5	31	34	40	47	7	16
K1659.1063	silver metallic	plastic-coated	1	M6	9	10	13	14	24,5	4	14,5	31	34	40	47	7	16
K1659.2062	orange RAL 2004	plastic-coated	2	M6	12	13,5	18,5	19	28,5	6,5	17,5	42,5	45,5	65	74,5	9,5	20
K1659.2063	silver metallic	plastic-coated	2	M6	12	13,5	18,5	19	28,5	6,5	17,5	42,5	45,5	65	74,5	9,5	20
K1659.2082	orange RAL 2004	plastic-coated	2	M8	12	13,5	18,5	19	28,5	6,5	17,5	42,5	45,5	65	74,5	9,5	20
K1659.2083	silver metallic	plastic-coated	2	M8	12	13,5	18,5	19	28,5	6,5	17,5	42,5	45,5	65	74,5	9,5	20
K1659.3082	orange RAL 2004	plastic-coated	3	M8	14	16	21	22	37	10	24	54,5	58,5	80	91	11	22
K1659.3083	silver metallic	plastic-coated	3	M8	14	16	21	22	37	10	24	54,5	58,5	80	91	11	22
K1659.3102	orange RAL 2004	plastic-coated	3	M10	14	16	21	22	37	10	24	54,5	58,5	80	91	11	22
K1659.3103	silver metallic	plastic-coated	3	M10	14	16	21	22	37	10	24	54,5	58,5	80	91	11	22
K1659.4102	orange RAL 2004	plastic-coated	4	M10	17	19	27	27,5	43	10	27	63	67,5	95	109	13	24
K1659.4103	silver metallic	plastic-coated	4	M10	17	19	27	27,5	43	10	27	63	67,5	95	109	13	24
K1659.4122	orange RAL 2004	plastic-coated	4	M12	17	19	27	27,5	43	10	27	63	67,5	95	109	13	24
K1659.4123	silver metallic	plastic-coated	4	M12	17	19	27	27,5	43	10	27	63	67,5	95	109	13	24
K1659.5122	orange RAL 2004	plastic-coated	5	M12	23	23	31	32	49	12	31,5	73	77,5	110	126	15	26
K1659.5123	silver metallic	plastic-coated	5	M12	23	23	31	32	49	12	31,5	73	77,5	110	126	15	26
K1659.5162	orange RAL 2004	plastic-coated	5	M16	23	23	31	32	49	12	31,5	73	77,5	110	126	15	26
K1659.5163	silver metallic	plastic-coated	5	M16	23	23	31	32	49	12	31,5	73	77,5	110	126	15	26