

Steel plate swivel castors with soft rubber tyres and bolt hole

Item description/product images



Description

Material:

Housing, steel plate.

Wheel tyre, high quality elastic solid rubber.

Wheel rim, high quality unbreakable polyamide.

Version:

Housing, press-formed.

Swivel housing, double-row ball bearings in a swivel head.

Ball bearing wheel axle bearings.

Note:

Wheel axle bolted.

Application:

Maximum travel comfort, excellent cushioning of the transported goods. The new soft rubber series brings noticeable noise reduction in all applications.

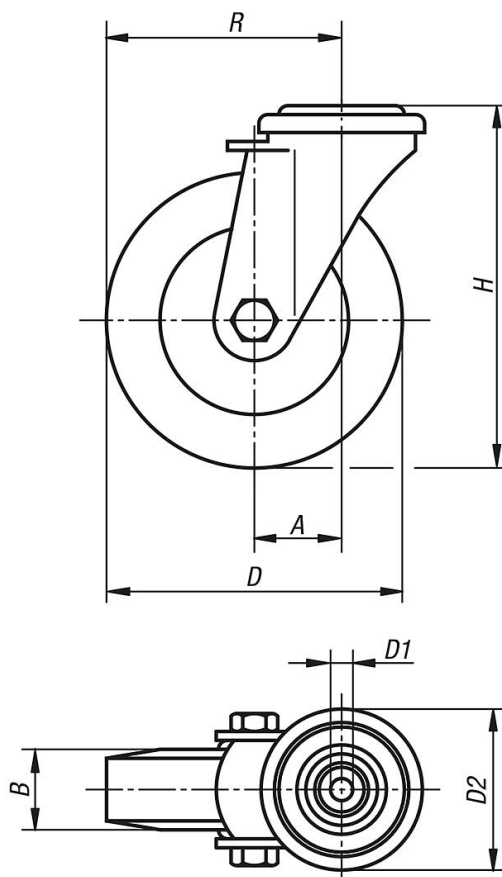
Temperature range:

-25 °C to +80 °C.

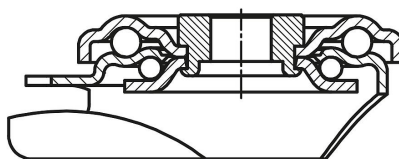
Steel plate swivel castors with soft rubber tyres and bolt hole

Drawings

swivel castor



swivel head bearing:



Overview of items

Steel plate swivel castors with soft rubber tyres and bolt hole

Order No.	Item	Version 1	Wheel bearing	A	B	D	D1	D2	H	R	Permissible load kg
K1789.10100040	Swivel castor	without locking system	ball bearing	36	40	100	13	70	125	86	150
K1789.10125040	Swivel castor	without locking system	ball bearing	40	40	125	13	70	150	102,5	150
K1789.101000402	Swivel castor	with stop-fix locking system	ball bearing	36	40	100	13	70	125	86	150
K1789.101250402	Swivel castor	with stop-fix locking system	ball bearing	40	40	125	13	70	150	102,5	150

