

## One-piece shaft collars slitted outside

### Item description/product images



### Description

#### Material:

Steel.  
Stainless steel 1.4305.  
Stainless steel 1.4404.  
Aluminium.

#### Version:

Steel black oxidised, screw steel 12.9.  
Stainless steel 1.4305 bright, screw stainless steel A2-70.  
Stainless steel 1.4404 bright, screw stainless steel A4-70.  
Aluminium bright, screw stainless steel A2-70.

#### Note:

One-piece shaft collars with an outer slit surround the shaft with an equal distribution of the clamping force. This leads to a very precise fit and high retaining force without damaging the shaft.

The shaft tolerance should lie within h11.

Due to the slit being on the outside of the shaft collar, up to 15% higher clamping forces can be achieved than with the version with slit on the inside. The bore remains cylindrical, thus precisely enclosing the shaft. Less imbalance.

The shaft collars made of A4 stainless steel have a small centre point mark on the OD.

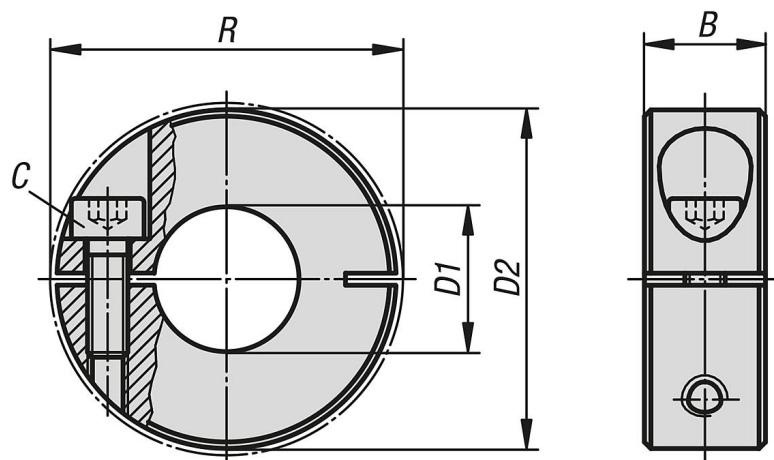
#### Temperature range:

-40 °C - +175 °C.

#### On request:

Other dimensions.

### Drawings



# One-piece shaft collars slitted outside

## Overview of items

### One-piece shaft collar, slitted outside

| Order No.    | Form definition | Main material      | Steel code | B  | C<br>(DIN 912) | D1 | D2 | R    |
|--------------|-----------------|--------------------|------------|----|----------------|----|----|------|
| K0611.100401 | slitted outside | steel              | -          | 9  | M3x8           | 4  | 16 | 20,7 |
| K0611.100501 | slitted outside | steel              | -          | 9  | M3x8           | 5  | 16 | 20,7 |
| K0611.100601 | slitted outside | steel              | -          | 9  | M3x8           | 6  | 16 | 20,7 |
| K0611.100801 | slitted outside | steel              | -          | 9  | M3x8           | 8  | 18 | 22,4 |
| K0611.101001 | slitted outside | steel              | -          | 9  | M3x10          | 10 | 24 | 26   |
| K0611.101201 | slitted outside | steel              | -          | 11 | M4x12          | 12 | 28 | 31,8 |
| K0611.101501 | slitted outside | steel              | -          | 13 | M5x16          | 15 | 34 | 39,4 |
| K0611.101601 | slitted outside | steel              | -          | 13 | M5x16          | 16 | 34 | 39,4 |
| K0611.101801 | slitted outside | steel              | -          | 13 | M5x16          | 18 | 36 | 41,1 |
| K0611.102001 | slitted outside | steel              | -          | 15 | M6x18          | 20 | 40 | 46,4 |
| K0611.102201 | slitted outside | steel              | -          | 15 | M6x18          | 22 | 42 | 48,1 |
| K0611.102501 | slitted outside | steel              | -          | 15 | M6x18          | 25 | 45 | 50,8 |
| K0611.102801 | slitted outside | steel              | -          | 15 | M6x18          | 28 | 48 | 53,7 |
| K0611.103001 | slitted outside | steel              | -          | 15 | M6x18          | 30 | 54 | 58,6 |
| K0611.104001 | slitted outside | steel              | -          | 15 | M6x18          | 40 | 60 | 65   |
| K0611.105001 | slitted outside | steel              | -          | 19 | M8x25          | 50 | 78 | 87   |
| K0611.100402 | slitted outside | stainless steel    | 1.4305     | 9  | M3x8           | 4  | 16 | 20,7 |
| K0611.100502 | slitted outside | stainless steel    | 1.4305     | 9  | M3x8           | 5  | 16 | 20,7 |
| K0611.100602 | slitted outside | stainless steel    | 1.4305     | 9  | M3x8           | 6  | 16 | 20,7 |
| K0611.100802 | slitted outside | stainless steel    | 1.4305     | 9  | M3x8           | 8  | 18 | 22,4 |
| K0611.101002 | slitted outside | stainless steel    | 1.4305     | 9  | M3x10          | 10 | 24 | 26   |
| K0611.101202 | slitted outside | stainless steel    | 1.4305     | 11 | M4x12          | 12 | 28 | 31,8 |
| K0611.101502 | slitted outside | stainless steel    | 1.4305     | 13 | M5x16          | 15 | 34 | 39,4 |
| K0611.101602 | slitted outside | stainless steel    | 1.4305     | 13 | M5x16          | 16 | 34 | 39,4 |
| K0611.101802 | slitted outside | stainless steel    | 1.4305     | 13 | M5x16          | 18 | 36 | 41,1 |
| K0611.102002 | slitted outside | stainless steel    | 1.4305     | 15 | M6x18          | 20 | 40 | 46,4 |
| K0611.102202 | slitted outside | stainless steel    | 1.4305     | 15 | M6x18          | 22 | 42 | 48,1 |
| K0611.102502 | slitted outside | stainless steel    | 1.4305     | 15 | M6x18          | 25 | 45 | 50,8 |
| K0611.102802 | slitted outside | stainless steel    | 1.4305     | 15 | M6x18          | 28 | 48 | 53,7 |
| K0611.103002 | slitted outside | stainless steel    | 1.4305     | 15 | M6x18          | 30 | 54 | 58,6 |
| K0611.104002 | slitted outside | stainless steel    | 1.4305     | 15 | M6x18          | 40 | 60 | 65   |
| K0611.105002 | slitted outside | stainless steel    | 1.4305     | 19 | M8x25          | 50 | 78 | 87   |
| K0611.100404 | slitted outside | stainless steel A4 | 1.4404     | 9  | M3x8           | 4  | 16 | 20,7 |
| K0611.100504 | slitted outside | stainless steel A4 | 1.4404     | 9  | M3x8           | 5  | 16 | 20,7 |
| K0611.100604 | slitted outside | stainless steel A4 | 1.4404     | 9  | M3x8           | 6  | 16 | 20,7 |
| K0611.100804 | slitted outside | stainless steel A4 | 1.4404     | 9  | M3x8           | 8  | 18 | 22,4 |
| K0611.101004 | slitted outside | stainless steel A4 | 1.4404     | 9  | M3x10          | 10 | 24 | 26   |
| K0611.101204 | slitted outside | stainless steel A4 | 1.4404     | 11 | M4x12          | 12 | 28 | 31,8 |
| K0611.101504 | slitted outside | stainless steel A4 | 1.4404     | 13 | M5x16          | 15 | 34 | 39,4 |
| K0611.101604 | slitted outside | stainless steel A4 | 1.4404     | 13 | M5x16          | 16 | 34 | 39,4 |
| K0611.101804 | slitted outside | stainless steel A4 | 1.4404     | 13 | M5x16          | 18 | 36 | 41,1 |
| K0611.102004 | slitted outside | stainless steel A4 | 1.4404     | 15 | M6x18          | 20 | 40 | 46,4 |
| K0611.102204 | slitted outside | stainless steel A4 | 1.4404     | 15 | M6x18          | 22 | 42 | 48,1 |
| K0611.102504 | slitted outside | stainless steel A4 | 1.4404     | 15 | M6x18          | 25 | 45 | 50,8 |
| K0611.102804 | slitted outside | stainless steel A4 | 1.4404     | 15 | M6x18          | 28 | 48 | 53,7 |
| K0611.103004 | slitted outside | stainless steel A4 | 1.4404     | 15 | M6x18          | 30 | 54 | 58,6 |
| K0611.104004 | slitted outside | stainless steel A4 | 1.4404     | 15 | M6x18          | 40 | 60 | 65   |
| K0611.105004 | slitted outside | stainless steel A4 | 1.4404     | 19 | M8x25          | 50 | 78 | 87   |
| K0611.100403 | slitted outside | aluminium          | -          | 9  | M3x8           | 4  | 16 | 20,7 |
| K0611.100503 | slitted outside | aluminium          | -          | 9  | M3x8           | 5  | 16 | 20,7 |
| K0611.100603 | slitted outside | aluminium          | -          | 9  | M3x8           | 6  | 16 | 20,7 |
| K0611.100803 | slitted outside | aluminium          | -          | 9  | M3x8           | 8  | 18 | 22,4 |
| K0611.101003 | slitted outside | aluminium          | -          | 9  | M3x10          | 10 | 24 | 26   |
| K0611.101203 | slitted outside | aluminium          | -          | 11 | M4x12          | 12 | 28 | 31,8 |
| K0611.101503 | slitted outside | aluminium          | -          | 13 | M5x16          | 15 | 34 | 39,4 |
| K0611.101603 | slitted outside | aluminium          | -          | 13 | M5x16          | 16 | 34 | 39,4 |
| K0611.101803 | slitted outside | aluminium          | -          | 13 | M5x16          | 18 | 36 | 41,1 |
| K0611.102003 | slitted outside | aluminium          | -          | 15 | M6x18          | 20 | 40 | 46,4 |
| K0611.102203 | slitted outside | aluminium          | -          | 15 | M6x18          | 22 | 42 | 48,1 |

## One-piece shaft collars slitted outside

### Overview of items

| Order No.    | Form definition | Main material | Steel code | B  | C (DIN 912) | D1 | D2 | R    |
|--------------|-----------------|---------------|------------|----|-------------|----|----|------|
| K0611.102503 | slitted outside | aluminium     | -          | 15 | M6x18       | 25 | 45 | 50,8 |
| K0611.102803 | slitted outside | aluminium     | -          | 15 | M6x18       | 28 | 48 | 53,7 |
| K0611.103003 | slitted outside | aluminium     | -          | 15 | M6x18       | 30 | 54 | 58,6 |
| K0611.104003 | slitted outside | aluminium     | -          | 15 | M6x18       | 40 | 60 | 65   |
| K0611.105003 | slitted outside | aluminium     | -          | 19 | M8x25       | 50 | 78 | 87   |