

## Clamping arm for swing clamp

### Item description/product images



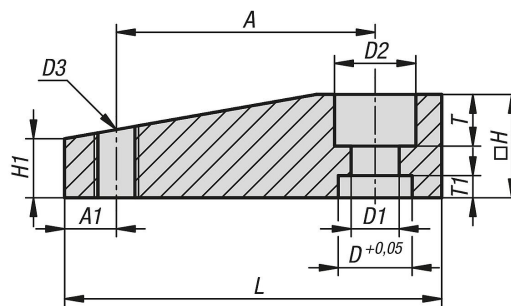
### Description

**Material:**  
Carbon steel.

**Version:**  
Black anodised.

**Note:**  
Suitable for pneumatic swing clamp K1812, in the respective sizes.

### Drawings



### Overview of items

#### Clamping arm for swing clamp

Order No.	Size	A	A1	D	D1	D2	D3	H	H1	L	T	T1
K1813.12	12	20	4	5	3,5	6	M3x0,5	8	6,5	29	4	2,5
K1813.16	16	25	5	7	5,5	9	M04x0,7	13	6,5	36	5	2,5
K1813.2025	20/25	35	7	10	8,5	14	M06x1	16	8	51	7	3
K1813.3240	32/40	45	10	14	10,5	17	M08x1,25	22	9	67	9	4,5
K1813.50	50	65	10	17	12,5	21	M10x1,5	25	13	88	13	4,5