

## Strap hinges steel or stainless steel

### Item description/product images



### Description

**Material:**

Steel.

Stainless steel 1.4301.

**Version:**

Steel electro zinc-plated, chromed or matt brass plated.

Stainless steel matt polished.

**Note:**

Strap hinge for in-frame doors.

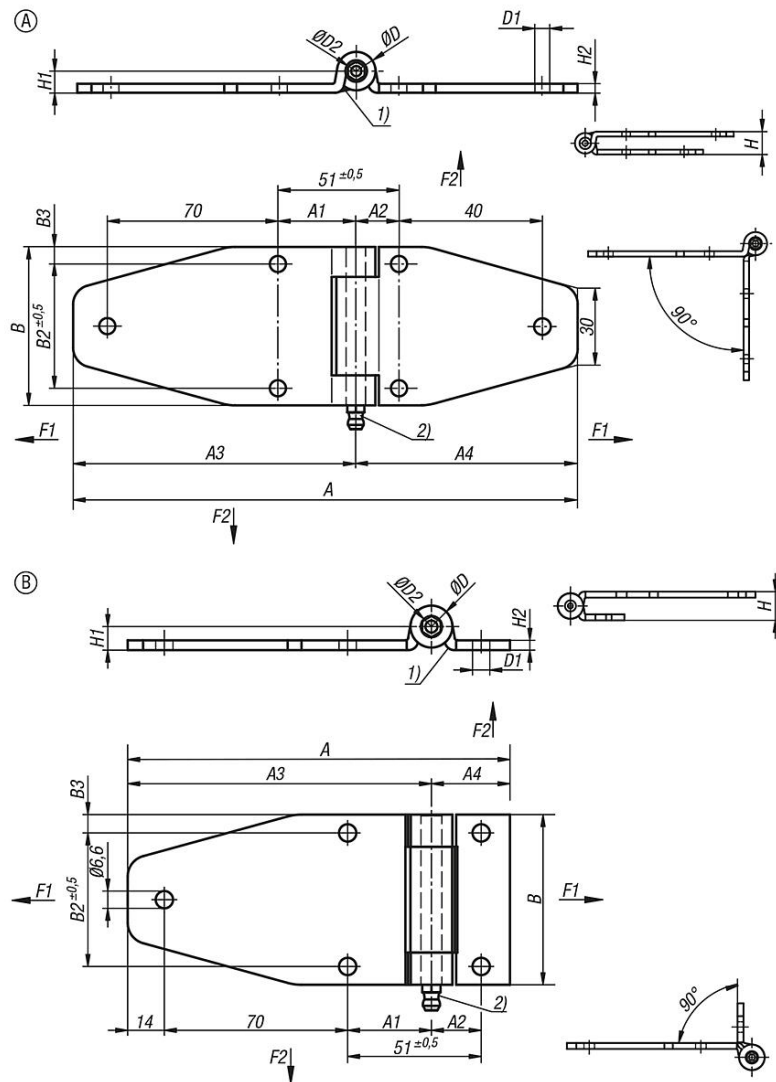
The opening angle is max. 270°.

The loading values given for the hinges are non-binding reference values without consideration of safety factors and exclude any liability. The values given are for information purposes only and do not constitute a legally binding assurance of properties. These load values were determined under laboratory conditions. Each user must determine individually whether the hinge is suitable for the respective application. Different materials onto which the hinges are installed, the type of mounting, weather conditions and wear can influence the determined values.

**Drawing reference:**

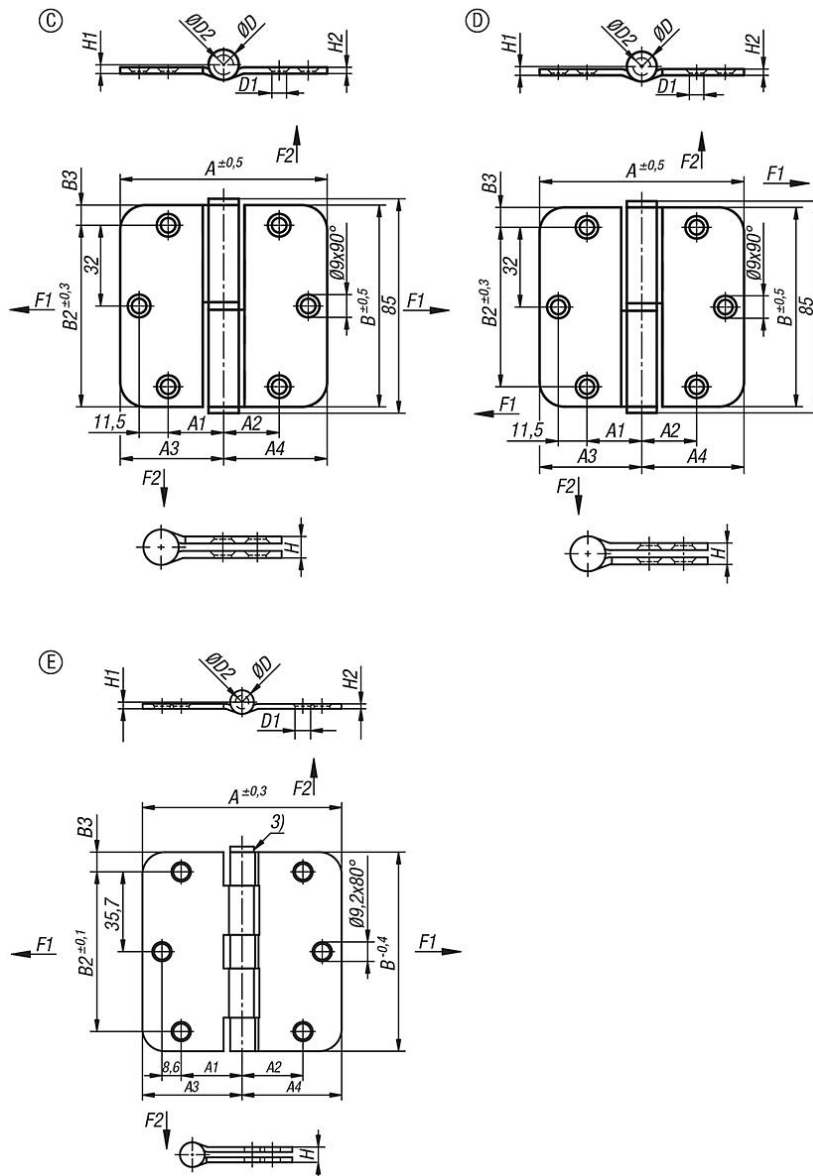
- 1) Both rolled ends of long leaf are welded
- 2) Grease nipple
- 3) Fixed pin

Drawings



## Strap hinges steel or stainless steel

### Drawings



### Overview of items

#### Strap hinges, steel or stainless steel

Order No.	Form	Form definition	Main material	Surface finish body	A	A1	A2	A3	A4	B	B2	B3	F1 N	F2 N
K1347.06701161932	A	-	stainless steel A2	matt polished	186	32	19	116	70	65	51	7	-	2500
K1347.067011619321	A	-	steel	galvanised	186	32	19	116	70	65	51	7	7500	1300
K1347.063011619320	B	-	stainless steel A2	matt polished	146	32	19	116	30	65	51	7	-	2500
K1347.063011619321	B	-	steel	galvanised	146	32	19	116	30	65	51	7	7000	1300
K1347.0541041222200	C	-	stainless steel A2	matt polished	82	22	22	41	41	80	64	8	5000	225
K1347.0541041222201	D	-	stainless steel A2	matt polished	82	22	22	41	41	80	64	8	5000	225
K1347.074404427272	E	-	steel	chromed	89	27,2	27,2	44,5	44,5	89	71,4	8,8	5000	1500
K1347.074404427273	E	-	steel	-	89	27,2	27,2	44,5	44,5	89	71,4	8,8	5000	1500

Order No.	D	D1	D2	H	H1	H2
K1347.06701161932	16	6,6	8	18	9	3,75
K1347.067011619321	16,5	6,6	8	19	9,5	4

**Strap hinges steel or stainless steel****Overview of items**

Order No.	D	D1	D2	H	H1	H2
K1347.063011619320	16	6,6	8	18	9	3,75
K1347.063011619321	16,5	6,6	8	19	9,5	4
K1347.0541041222200	12	5,8	7	7	3,5	2,5
K1347.0541041222201	12	5,8	7	7	3,5	2,5
K1347.074404427272	10,6	7	6	6	3	2,2
K1347.074404427273	10,6	7	6	6	3	2,2