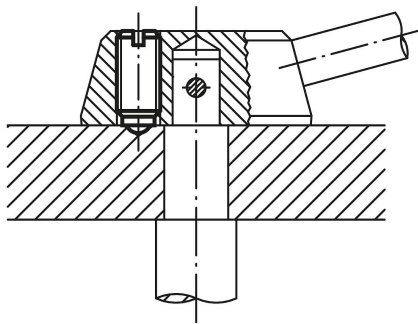


Spring plungers with slot and ball, long version, standard spring force

Item description/product images



handle indexing



Description

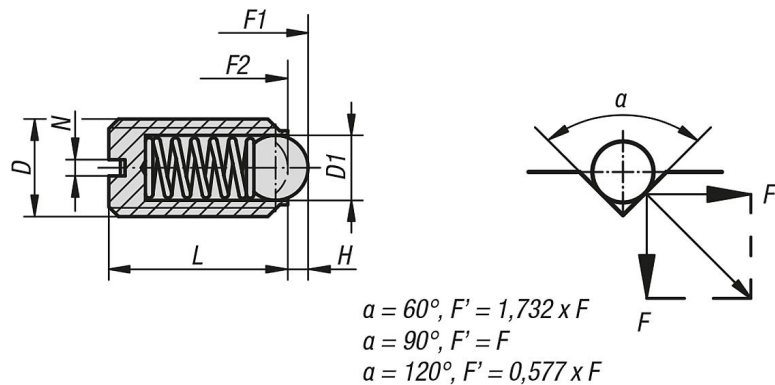
Material:

Sleeve steel grade 5.8.
Ball steel.
Spring grade D steel wire.

Version:

Black oxidised. Ball hardened.

Drawings



Overview of items

Spring plungers with slot and ball, long version, standard spring

Order No.	D	D1	L	H	N	Spring force initial pressure F1 approx. N	Spring force final pressure F2 approx. N
K0309.404	M4	2,5	16	0,8	0,6	4	10
K0309.405	M5	3	20	0,9	0,8	6	11
K0309.406	M6	3,5	25	1	1	9	13
K0309.408	M8	5	30	1,5	1,2	15	30

Spring plungers with slot and ball, long version, standard spring force

Overview of items

Order No.	D	D1	L	H	N	Spring force initial pressure F1 approx. N	Spring force final pressure F2 approx. N
K0309.410	M10	6	35	2	1,6	20	40
K0309.412	M12	8	40	2,5	2	30	55
K0309.416	M16	10	45	3,5	2,5	65	125