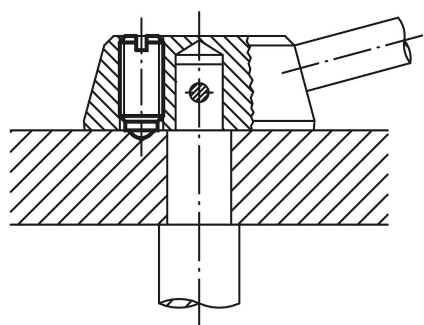


# Spring plungers with slot and ball, standard spring force

## Item description/product images



handle indexing



### Description

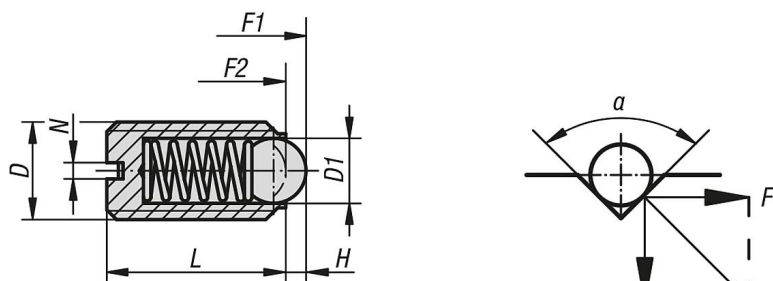
**Material:**

Sleeve steel grade 5.8.  
Ball steel.  
Spring grade D steel wire.

**Version:**

Black oxidised. Ball hardened.

## Drawings



$$\begin{aligned}
 \alpha = 60^\circ, F' &= 1,732 \times F \\
 \alpha = 90^\circ, F' &= F \\
 \alpha = 120^\circ, F' &= 0,577 \times F
 \end{aligned}$$

## Overview of items

### Spring plungers with slot and ball, standard spring

Order No.	D	D1	L	H	N	Spring force initial pressure F1 approx. N	Spring force final pressure F2 approx. N
K0309.03	M3	1,5	7	0,4	0,4	1,5	3
K0309.04	M4	2,5	9	0,8	0,6	4	10
K0309.05	M5	3	12	0,9	0,8	6	11
K0309.06	M6	3,5	14	1	1	9	13
K0309.08	M8	5	16	1,5	1,2	15	30
K0309.10	M10	6	19	2	1,6	20	40
K0309.12	M12	8	22	2,5	2	30	55

## Spring plungers with slot and ball, standard spring force

### Overview of items

Order No.	D	D1	L	H	N	Spring force initial pressure F1 approx. N	Spring force final pressure F2 approx. N
<b>K0309.16</b>	M16	10	24	3,5	2,5	65	125
<b>K0309.20</b>	M20	12	30	4,5	2,5	80	160